

NOTES

1. MATERIALS:

HOUSING-PBT 30%GF UL94V-0.

CONTACT-PHOSPHOR BRONZE, C5191R-H T=0.6mm

2. FLASH: 0.25mm MAX.

3. CAMBER: 0.13mm MAX. DEFOMATION: NA.

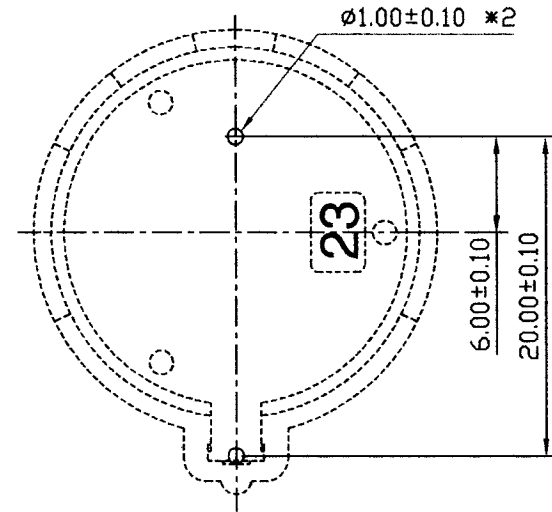
WARP: 0.13mm MAX TWIST: NA.

4. COLOR: BLACK

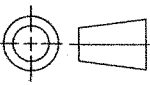
5. PLATING:

TIN 100u" MIN OVER Ni 50u" MIN.

Ni 80u" MIN.



RECOMMEND PCB LAYOUT
COMPONENT SIDE

3					
2					
1			NAME		
NO.		DATE	SCALE	2 : 1	APPD. <i>Jukwifin</i>
 General Tolerances: Angel: +/- 2° Dim: 0.0 +/- 0.25 0.00 +/- 0.20 0.000 +/- 0.10			UNIT	MM	CHKD. <i>Huan/Ting/Lian</i>
			MAT'L		DWN. LING
			DATE	04/12/02	DR NO.