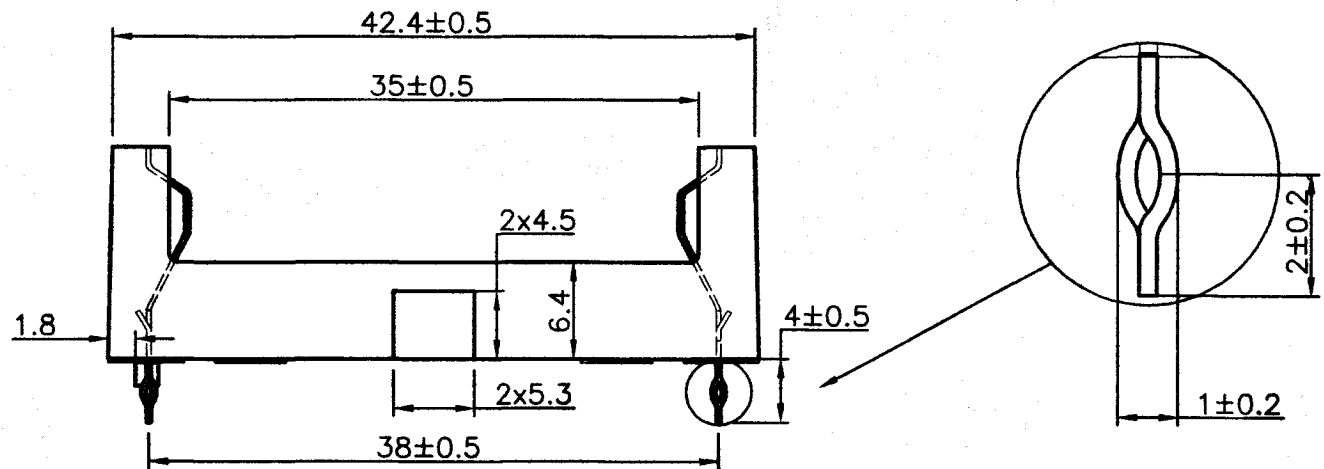
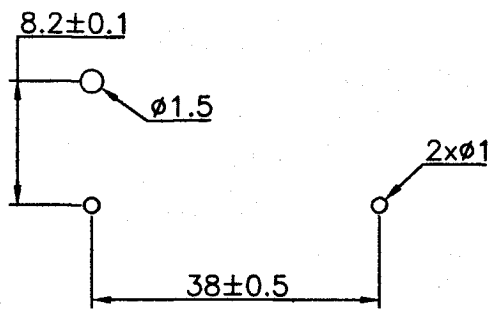


PCB/MOUNTING LAYOUT



SPECIFICATION

MATERIAL: ABS RESIN, BLACK COLOR
 CONTACT: 0.3MM SPRING STEEL
 NICKEL PLATED