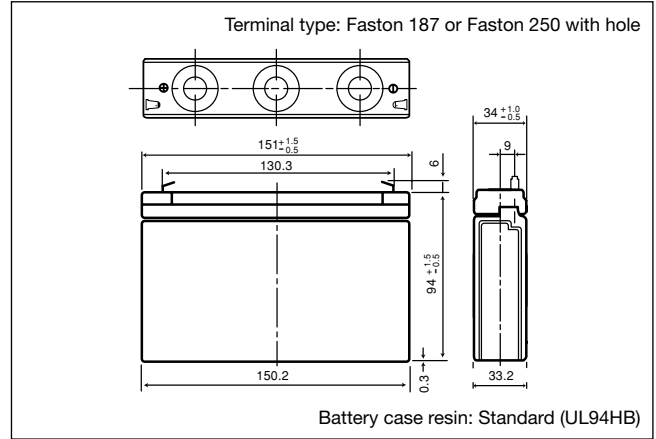


**LC-R067R2P**

For main and standby power supplies.  
Trickle Design life: 6 – 9 years at 20 °C.



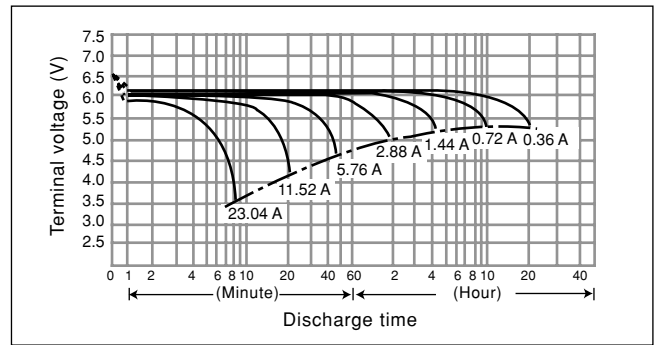
**Dimensions (mm)**



**Specifications**

Nominal voltage		6 V
Rated capacity (20 hour rate)		7.2 Ah
Dimensions	Length	151 mm
	Width	34 mm
	Height	94 mm
	Total Height	100 mm
Approx. mass		1.26 kg

**Discharge characteristics (20 °C) (Note)**



**Characteristics**

Capacity (note) (20 °C)	20 hour rate (360 mA)	7.2 Ah
	10 hour rate (680 mA)	6.8 Ah
Internal resistance	5 hour rate (1260 mA)	6.3 Ah
	1 hour rate (4900 mA)	4.9 Ah
	1.5 hour rate discharge Cut-off voltage 5.25 V	3.5 A
Temperature dependency of capacity (20 hour rate)	Fully charged battery (20 °C)	Approx. 20 mΩ
	40 °C	102 %
	20 °C	100 %
	0 °C	85 %
Self discharge (20 °C)	-15 °C	65 %
	Residual capacity after standing 3 months	91 %
	Residual capacity after standing 6 months	83 %
	Residual capacity after standing 12 months	66 %

(Note) The above characteristics data are average values obtained within three charge/discharge cycles, not the minimum values.

**Duration of discharge vs. Discharge current (Note)**

