



AC-DC SWITCHING ADAPTER SPECIFICATION

| | | | |
|----------|----------|------------|------------|
| MODEL . | MW3H36GS | ISSUE DATE | 2008-11-20 |
| CUSTOMER | | REF. NO. | |

INPUT

| | |
|-------------------------------------|----------------|
| INPUT VOLTAGE | 100 to 240 Vac |
| INPUT FREQUENCY | 50 to 60 Hz |
| NO LOAD POWER CONSUMPTION | < 0.3 W |
| INPUT FULL LOAD CURRENT(at 120 Vac) | 0.7 A |

OUTPUT

| | |
|---------------------------|---|
| LIGHT LOAD OUTPUT VOLTAGE | 5.0/6.0/7.5/9.0/12.0/13.5/15.0V dc \pm 10% |
| FULL LOAD OUTPUT VOLTAGE | 5.0/6.0/7.5/9.0/12.0/13.5/15.0V dc \pm 10% |
| MIN LOAD OUTPUT CURRENT | 0 A |
| MAX LOAD OUTPUT CURRENT | 3A @ 5.0/6.0/7.5/9.0/12.0V dc ;2.4A@13.5/15.0V dc |
| LINE REGULATION | 0.5 % Input 100 to 240 Vac output loaded at full load |
| SETUP,RISE,HOLD UPTIME | 200ms,30ms,17ms/115Vac; 200ms,20ms,80ms/230Vac |

OVERALL PERFORMANCE

| | |
|--------------------|-------------------|
| TOTAL OUTPUT POWER | 36 W Max |
| EFFICIENCY | COMPLIED with EUP |

PROTECTION

| | |
|---|--|
| <input checked="" type="checkbox"/> OVER CURRENT PROTECTION | <input checked="" type="checkbox"/> SHORT CIRCUIT PROTECTION |
| <input checked="" type="checkbox"/> OVER VOLTAGE PROTECTION | <input type="checkbox"/> L.P.S (Limits for power source) |
| <input checked="" type="checkbox"/> OVER POWER PROTECTION | <input type="checkbox"/> OTHER |

HI-POT

| | |
|----------------------|--|
| INPUT TO OUTPUT | 3000 Vac 5 mA 50/60 Hz |
| INPUT TO CASE | 3000 Vac 5 mA 50/60 Hz |
| OUTPUT TO CASE | 1500 Vac 5 mA 50/60 Hz |
| ISOLATION RESISTANCE | 100 M Ohms I/P-O/P I/P/Enclosure |
| APPLIANCE | CLASS I <input type="checkbox"/> II <input checked="" type="checkbox"/> III <input type="checkbox"/> |

ENVIRONMENTAL

| | |
|-----------------------|----------------------------|
| OPERATING TEMPERATURE | 0 °C to 35 °C |
| STORGE TEMPERATURE | -20 °C to 50 °C |
| OPERATING HUMIDITY | 20%-85% RH. NON-CONDENSING |
| STORGE HUMIDITY | 10%-90% RH. NON-CONDENSING |

SAFFTY STANDARDS

| | |
|------------------|----|
| SAFETY STANDARDS | GS |
| EMC STANDARDS | CE |

RELIABILITY

| | |
|---------|---------------------------------------|
| MTBF | 50000 Hours min |
| BURN-IN | 8 Hours 25°C, full load, 220Vac, 50Hz |



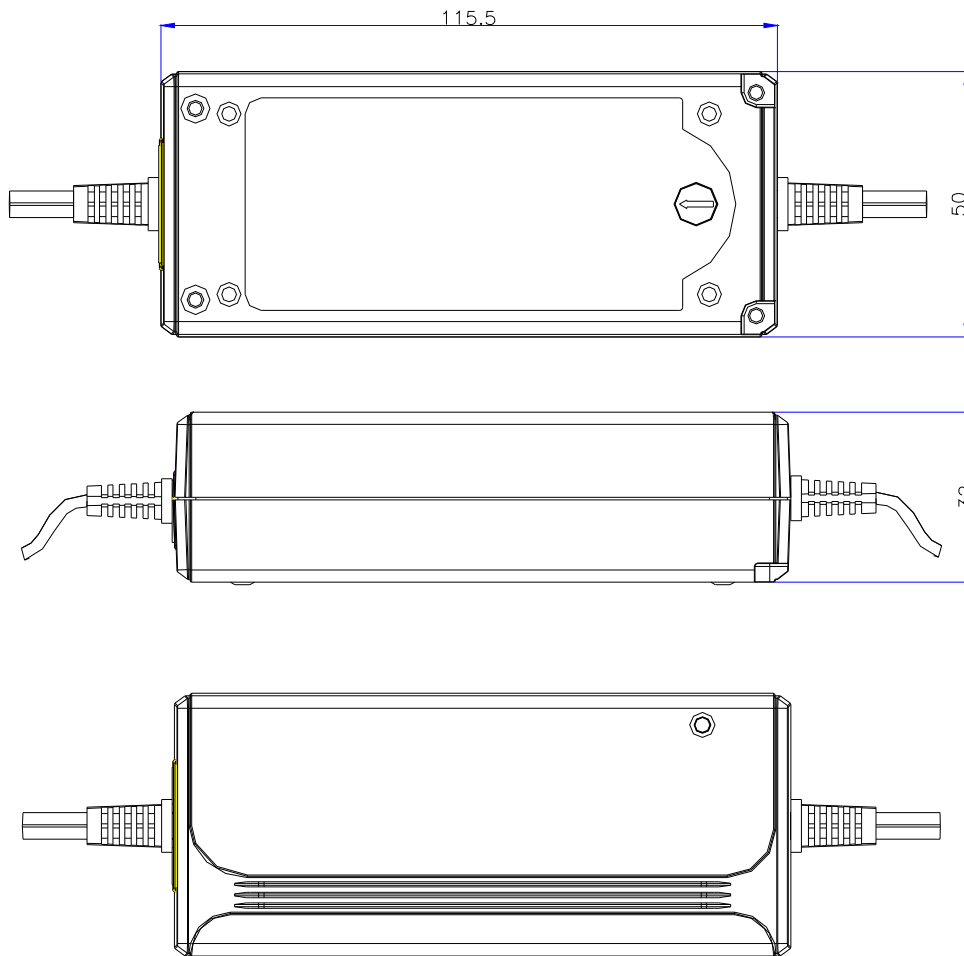
AC-DC SWITCHING ADAPTER SPECIFICATION

| | | | |
|-----------|----------|------------|------------|
| MODEL NO. | MW3H36GS | ISSUE DATE | 2008-11-20 |
| CUSTOMER | | REF. NO. | |

MECHANICAL SPECIFICATION

| | |
|------------------|---|
| DIMENSION | 115.5 mm(L)* 50mm(W)*32 mm(H) |
| WEIGHT | 300 g MAX exclude packing |
| INPUT CORD | |
| INPUT PLUG | EU |
| OUTPUT CORD | |
| OUTPUT PLUG | |
| OUTPUT CONNECTOR | 6XC = 2.5MM,3.5MM,1.35x3.5MM,1.5x5.5MM, 2.1x5.0MM,2.5x5.5MM |

APPEARANCE & DIMENSIONS



APPROVE:

AUDITING:

CONNER:

