



### AC-DC SWITCHING ADAPTER SPECIFICATION

MODEL NO.	MW3H380GS	ISSUE DATE	2010-08-30
CUSTOMER		REF. NO.	

#### INPUT

INPUT VOLTAGE	90 to 264 Vac
INPUT FREQUENCY	50 to 60 Hz
NO LOAD POWER CONSUMPTION	< W
INPUT FULL LOAD CURRENT(at 120 Vac)	0.7 A
INPUT POWER	45 W Max

#### OUTPUT

OUTPUT VOLTAGE (V)	5.0	6	7	8	9	10	11	12	13	14	15	16	17	18	19	20	21	22	23	24
MAX LOAD OUTPUT CURRENT (A)	3.0	3.0	3.0	3.0	3.0	3.0	3.0	3.0	2.7	2.5	2.4	2.2	2.1	2.0	1.88	1.8	1.7	1.63	1.56	1.5
RIPPLE AND NOISE	250 mV Max. AT 120Vac,60Hz,FULL LOAD.25℃																			
NOISE TEST BANDWIDTH	20MHz Each output bypassed by a 10uF electrolytic capacitor parallel with a 0.1uF ceramic capacitor to GND																			
LINE REGULATION	0.5 % Input 90 to 264 Vac output loaded at full load																			
SETUP,RISE,HOLD UPTIME	200ms,30ms,17ms/115Vac; 200ms,20ms,80ms/230Vac																			

#### OVERALL PERFORMANCE

TOTAL OUTPUT POWER	36 W Max
EFFICIENCY	70 % min at 100-240 Vac 50/60Hz full load

#### PROTECTION

<input checked="" type="checkbox"/> OVER CURRENT PROTECTION	<input checked="" type="checkbox"/> SHORT CIRCUIT PROTECTION
<input checked="" type="checkbox"/> OVER VOLTAGE PROTECTION	<input type="checkbox"/> L.P.S (Limits for power source)
<input checked="" type="checkbox"/> OVER POWER PROTECTION	<input type="checkbox"/> OTHER

#### HI-POT

INPUT TO OUTPUT	3000 Vac 5 mA 50/60 Hz
INPUT TO CASE	3000 Vac 5 mA 50/60 Hz
OUTPUT TO CASE	1500 Vac 5 mA 50/60 Hz
ISOLATION RESISTANCE	100 M Ohms I/P-O/P I/P/Enclosure
APPLIANCE	CLASS I <input type="checkbox"/> II <input checked="" type="checkbox"/> III <input type="checkbox"/>

#### ENVIRONMENTAL

OPERATING TEMPERATURE	0 °C to 25 °C
STORGE TEMPERATURE	-20 °C to 60 °C
OPERATING HUMIDITY	20%-85% RH. NON-CONDENSING
STORGE HUMIDITY	10%-90% RH. NON-CONDENSING

#### SAFFTY STANDARDS

SAFETY STANDARDS	EN60950
EMC STANDARDS	CE

#### RELIABILITY

MTBF	50000 Hours min
BURN-IN	4 Hours 25°C, full load, 220Vac, 50Hz

APPROVE:

AUDITING:

CONNER:



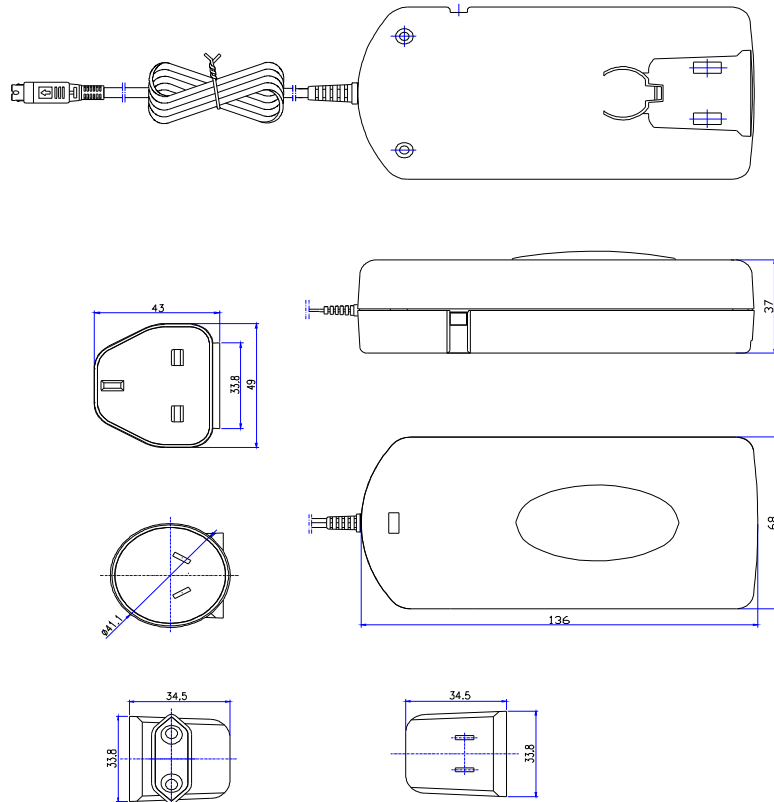
**AC-DC REGULATED SWITCHING POWER ADAPTER SPECIFICATION**

MODEL NO.	NW3H380GS	ISSUE DATE	2010-08-30
CUSTOMER		REF. NO.	

**MECHANICAL SPECIFICATION**

DIMENSION	131 mm(L)*55 mm(W)* 32mm(H)
WEIGHT	300 g MAX exclude packing
INPUT CORD	U
INPUT PLUG	
OUTPUT CORD	
OUTPUT PLUG	
OUTPUT CONNECTOR	

**APPEARANCE & DIMENSIONS**



APPROVE:

AUDITING:

CONNER: