

MATERIAL: ELECTROLYTIC COPPER

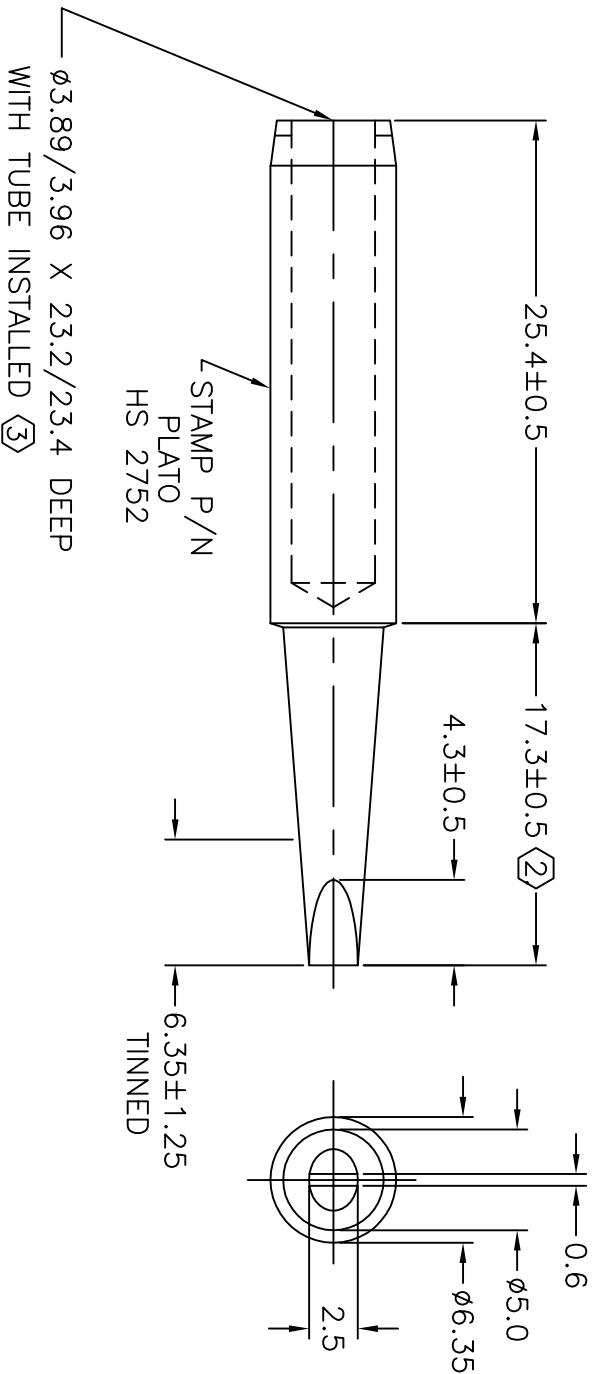
UNLESS OTHERWISE NOTED:
DIMENSIONS ARE IN MILLIMETERS
X.X ± 0.250 ANGLES ± 3°
X.XX ± 0.125 BREAK EDGES 0.076

FINISHING NOTES:

- IRON PLATE 0.25
- INSPECTION POINT 7.50
- GROUND LENGTH NONE
- GROUND DIAMETER NONE
- TINNED LENGTH NOTED
- NICKEL PLATE 0.0076
- CHROMIUM PLATE 0.0102 MIN.

SPECIAL INSTRUCTIONS:

- ①-PARTS TO BE FREE OF BURRS AND SHARP EDGES BEFORE PLATING.
- ② IRON PLATE THIS LENGTH ONLY
- ③ PRESS FIT SS TUBE



CODE	DESCRIPTION	BY	DA.
U	SEE E.O. PR 0979	M.P.	06-1c



P.O. Box 949
Amarillo Texas 79105-0949
(806)372-8523 Fax (806)372-876

SCALE: NONE
DRAWN BY: A. ZURIGA

DATE: MAY 18, 2005
CHECKED BY: L. QUIROS

DWG. SIZE: A
APPRVD BY: M. PEREZ

DO NOT SCALE DRAWING